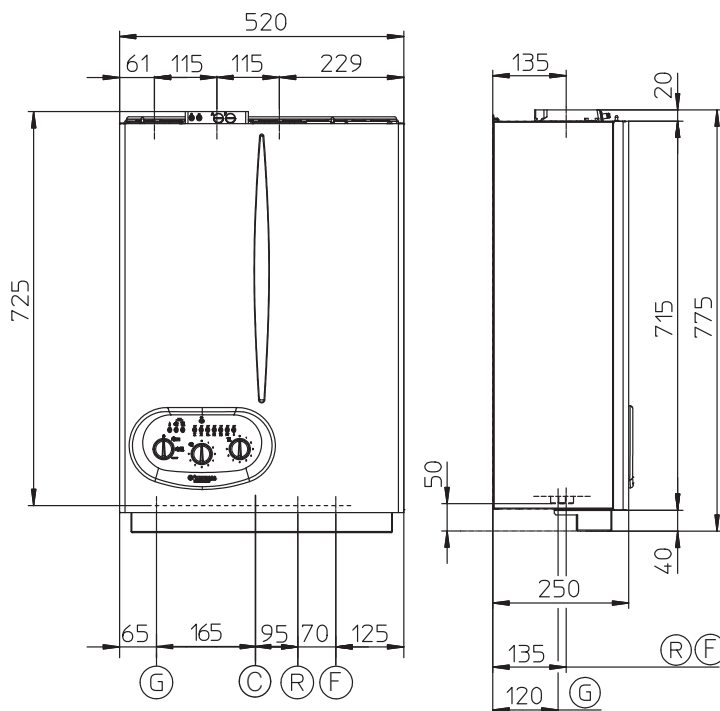


Model	Code NG./LPG	Heat output kW	Efficiency at nom. heat output	Protection index
SE 32 kW	IMG SE 32+ I NG IMG SE 32+ I LPG	36	87.3%	IPX5D

COMBUSTION PARAMETERS			
		NG (G20)	LPG (G30)
Supply Pressure	kPa	1.0	2.8
Flue temperature at nominal output	°C	67	68

TECHNICAL DATA		
Heat output NG	mJ/h (kW)	128.5 (35.7)
Heat output LPG	mJ/h (kW)	128.5 (35.7)
Burner pressure maximum NG/LPG	kPa	0.70 / 2.10
Burner pressure minimum NG/LPG	kPa	0.19 / 0.55
Efficiency 80/60 Nom./Min.	%	87.30
Efficiency 50/30 Nom./Min.	%	93.20
Adjustable central heating temperature	°C	35 - 85
Expansion vessel factory-set pressure	bar	1
Pressure relief setting	bar (psi)	3 (44)
Expansion vessel capacity	L	10
Head available with 1000 l/h flow rate	kPa (m H <sub>2</sub> O)	30.2 (3.1)
Electrical connection	V/Hz	230 / 50
Installed electric power	W	180
Maximum flue length 60/100	m	V 4.7 / H 3.0
Maximum flue length 80/80	m	V40 / H 20



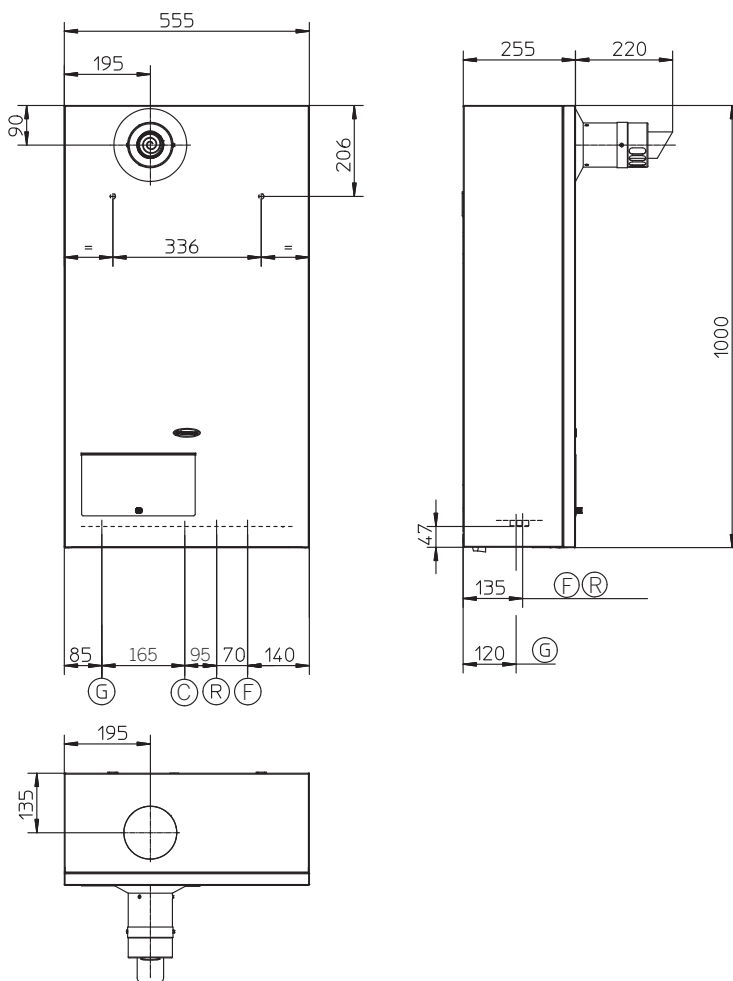
Height (mm)	Width (mm)	Depth (mm)
725	520	250
Connections		
Cold Inlet	Gas	System
C	G	R   F
1/2"	3/4"	3/4"   3/4"

**Key:**  
*G - Gas Supply (not supplied as standard)*  
*R - Return -CH*  
*F - Flow -CH*  
*C - Cold fill*

Model	Code NG./LPG	Heat output kW	Efficiency at nom. heat output	Protection index
SE 32 kW	IMG SE 32+ E NG IMG SE 32+ E LPG	36	87.3%	IPX5D

COMBUSTION PARAMETERS			
		NG (G20)	LPG (G30)
Supply Pressure	kPa	1.0	2.8
Flue temperature at nominal output	°C	67	68

TECHNICAL DATA		
Heat output NG	mJ/h (kW)	128.5 (35.7)
Heat output LPG	mJ/h (kW)	128.5 (35.7)
Burner pressure maximum NG/LPG	kPa	0.70 / 2.10
Burner pressure minimum NG/LPG	kPa	0.19 / 0.55
Efficiency 80/60 Nom./Min.	%	87.30
Efficiency 50/30 Nom./Min.	%	93.20
Adjustable central heating temperature	°C	35 - 85
Expansion vessel factory-set pressure	bar	1
Pressure relief setting	bar (psi)	3 (44)
Expansion vessel capacity	L	10
Head available with 1000 l/h flow rate	kPa (m H <sub>2</sub> O)	30.2 (3.1)
Electrical connection	V/Hz	230 / 50
Installed electric power	W	180



Height (mm)	Width (mm)	Depth (mm)
725	555	255
Connections		
Cold Inlet	Gas	System
C	G	R F
1/2"	3/4"	3/4" 3/4"

**Key:**  
*G - Gas Supply*  
*R - Return -CH*  
*F - Flow -CH*  
*C - Cold Fill*

